



DURAMAX[®]

**EXTREME-DUTY CHAIN & BUCKET
GRIT COLLECTORS**

DESIGN UPGRADES AND RETROFITS

10-YEAR WARRANTY • 24/7/365 RELIABILITY • LOWEST LIFE-CYCLE COST

MAXIMUM STRENGTH. MAXIMUM CORROSION RESISTANCE. MAXIMUM ABRASION RESISTANCE.

Corrosion and abrasion resistant heat-treated stainless steel shafting, or carbon steel shafting with optional chromium-cobalt sleeves

Optional DuraMax H78SS or H82SS cast stainless steel drive chain
Polymeric segmental rim or cast drive and driven sprockets

High-torque, shaft-mounted drive reducer, or optional chain and sprocket drive assembly
200,000 hour reducer bearing life with 1.5 SF
Factory furnished synthetic gear oil and water-proof grease
1.25 SF variable speed motor with greaseable bearings

DuraMax CS720SS or C132SS Cast aerospace-grade stainless steel collector chain and bucket attachments

Heavy-duty stainless steel housing, frame, anchor bolts, and hardware

Stainless Steel Return Tracks and Supports
Optional virgin UHMW-PE Track Liners

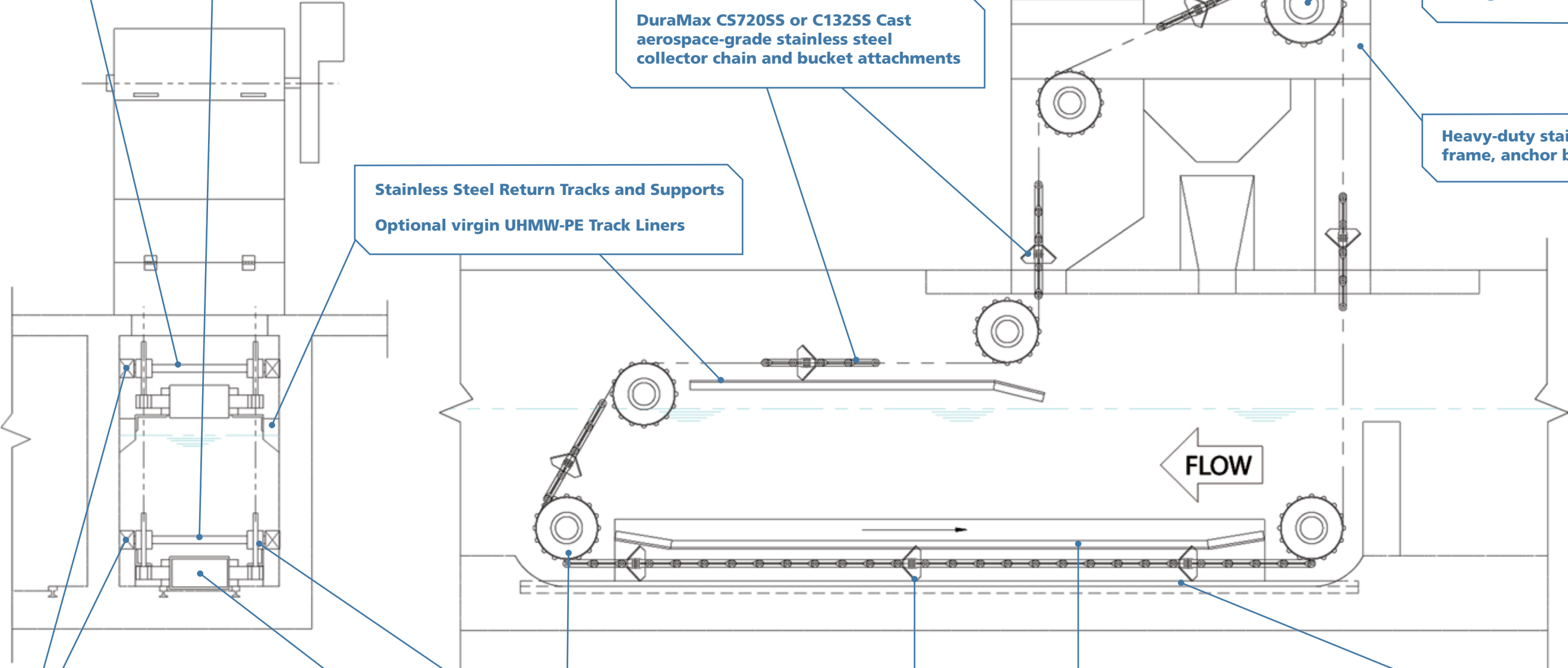
Self-aligning wall bearings with water lubricated babbitted or chromium-cobalt bushings

Polyurethane, Nylon 6/6, or UHMW-PE segmental rim sprockets with cast iron hubs

Heavy-duty stainless steel hold-down angle

Stainless steel or replaceable UHMW-PE wearbar

Heavy-duty stainless steel, carbon steel and polymeric buckets
Polyurethane, Nylon-6/6 and UHMW-PE wearshoes



SOLUTIONS FOR TODAY, TOMORROW AND THE NEXT GENERATION.

Need an economical, cost saving solution for your Headworks and Stormwater equipment? DuraMax Chain & Bucket Grit Collectors are today's newest and best available technology for coarse sand and grit removal.

DuraMax Chain & Bucket Grit Collectors are the result of over three decades of applied field research and materials testing, and utilize the first CAST STAINLESS STEEL CHAINS ever manufactured for the Water and Wastewater Industry. DuraMax Chains are precision cast from aerospace-grade alloys specifically designed for extreme-duty, corrosive and abrasive Grit Collector applications.

DuraMax Chain & Bucket Grit Collectors are designed to provide 20-years of reliable, continuous duty service without major component repair or replacement. Routine life-cycle maintenance costs are substantially reduced, and less than all other mechanical grit collector designs.

When evaluated over a 20-year design cycle, DuraMax Chain & Bucket Grit Collectors provide the lowest life-cycle cost, and maximum equipment value.



Environmental Resources, Inc.
DuraMax Chain & Equipment Products
P.O. Box 786
W278 N2968 Rocky Point Rd.
Pewaukee, WI 53072-0786

Tele: 800/691-0998
Fax: 262/691-0992

www.duramaxchain.com
www.erxinc.com

Copyright © 2008 by Environmental Resources, Inc. All rights reserved.